



actual size

# Quartz Crystal · JXE53

## Surface Mount Quartz Crystal

### Features

■ RoHS compliant

■ ceramic/ceramic package

### General Data

type	JXE53	
frequency range	12.0 ~ 32.0 MHz	( fund. AT-cut )
	32.0 ~ 67.0 MHz	( fund. BT-cut )
frequency tolerance at 25 °C	± 50 ppm	
load capacitance $C_L$	12 pF ~ 32 pF or series	
shunt capacitance $C_0$	< 7 pF	
storage temperature	-40 °C ~ +90 °C	
drive level max.	100 µW	
aging	< ±5 ppm first year	

### ESR (series resistance Rs)

frequency in MHz	vibration mode	ESR max. in Ω	ESR typ. in Ω
12,0 ~ 13,999	fund.- AT	120	50
14,0 ~ 19,999	fund. - AT	80	25
20,0 ~ 32,000	fund. - AT	50	20
32,0 ~ 67,000	Fund. - BT	50	20

### Frequency Stability vs. Temperature

		± 50 ppm	± 100 ppm	+10/-100 ppm		
-20 °C ~ +70 °C		●		○ BT-cut		
-40 °C ~ +85 °C	T1		●			

● standard  
○ on request

### Marking

frequency with load capacitance code  
company code / date code / internal code

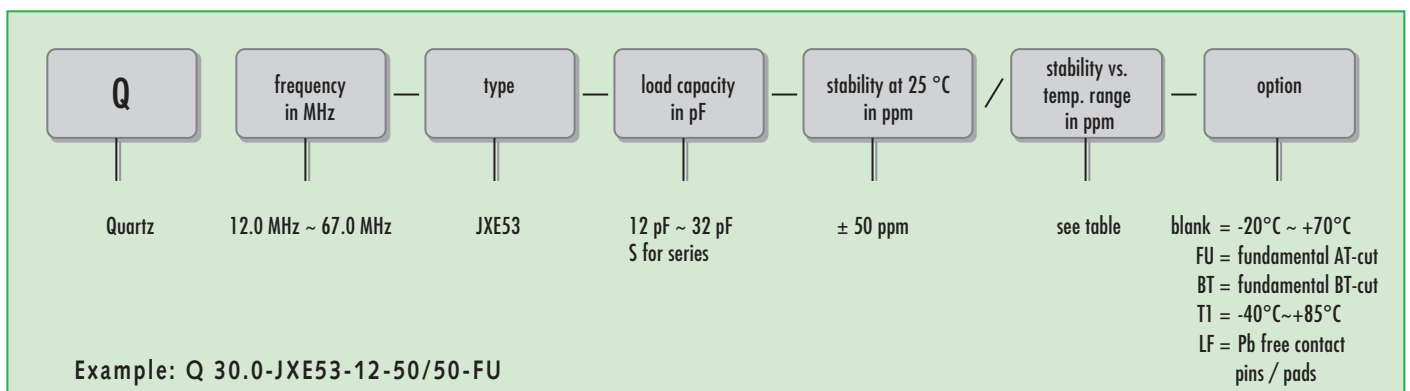
date code: year/month

example: 5A = 2005 January

Jan.	Febr.	Mar.	Apr.	May	June
A	B	C	D	E	F

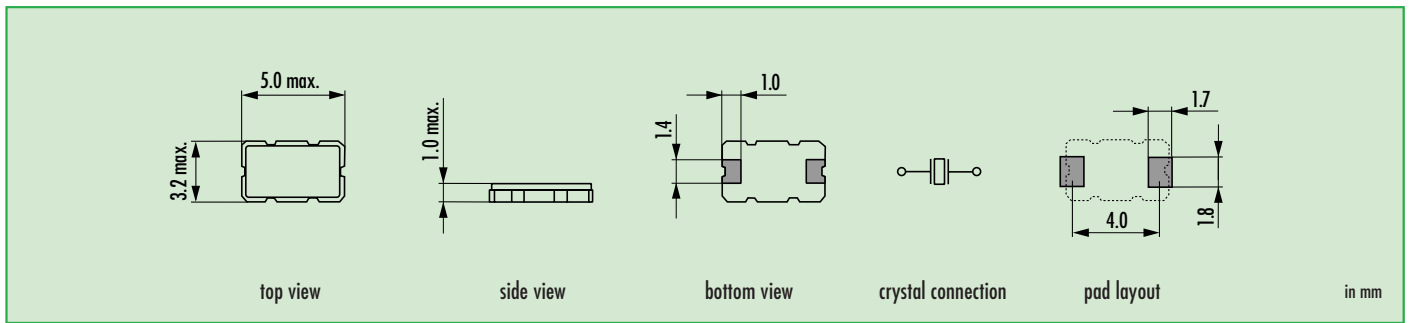
July	Aug.	Sept.	Oct.	Nov.	Dec.
G	H	J	K	L	M

### Order Information

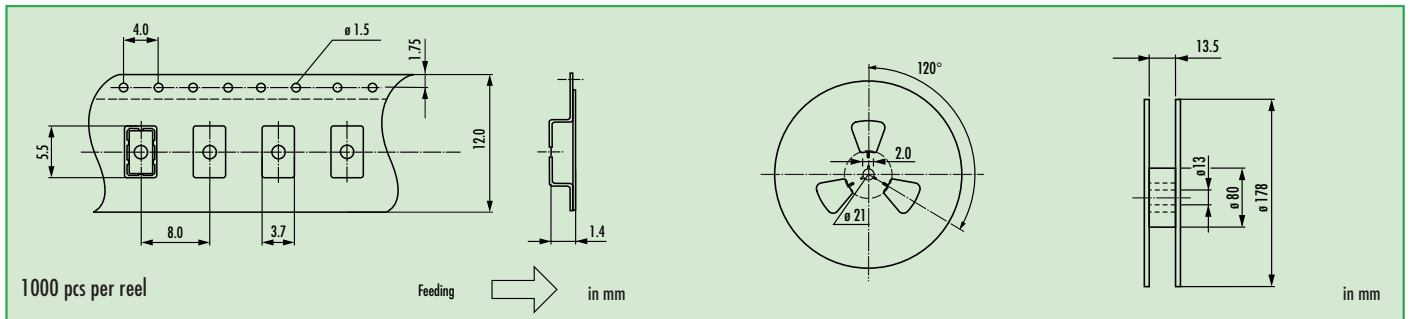


# Quartz Crystal · JXE53

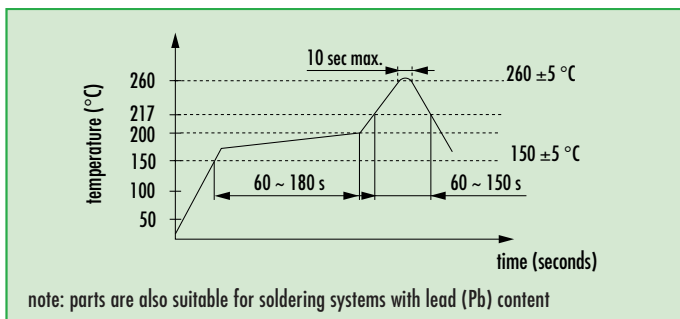
## Dimensions



## Taping Specification



## Reflow Soldering Profile



## Load Capacitance Codes

7 pF: m	13 pF: v	20 pF: c	32 pF: e
8 pF: k	14 pF: x	22 pF: g	series: s
9 pF: n	15 pF: j	24 pF: d	T: 3rd OT
10 pF: h	16 pF: b	25 pF: r	
11 pF: l	17 pF: t	27 pF: w	
12 pF: a	18 pF: f	30 pF: .	

example 12.0 MHz / 12 pF: 12a00